



UTEX INDUSTRIES, INC.
Mechanical Seal Division

APC™-I

Single Cartridge Seal



APC™-II

Dual Cartridge Seal



~ Utilizes Large Bore ANSI/API Seal Chambers to Maximize MTBF ~

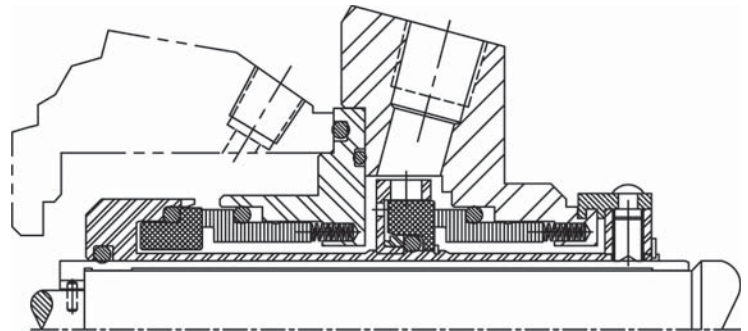
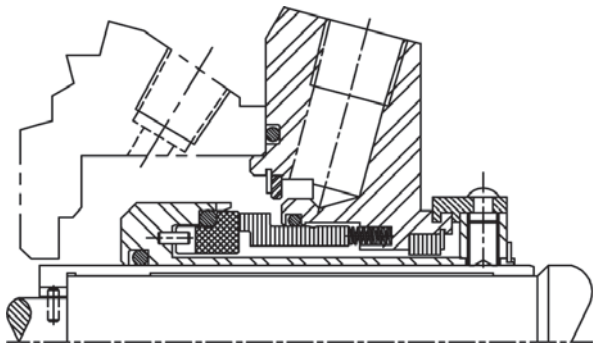
Features of Single:

- Heavy duty unitized cartridge assembly
- Robust self-aligning stationary design
- Large cross-section balanced monolithic faces
- Precise centering, piloted gland
- Axial flow flush arrangement
- Quench/Vent & Drain with throttle bushing standard
- ANSI Plus and custom API size range
- Applications at 500 psi and 500°F*

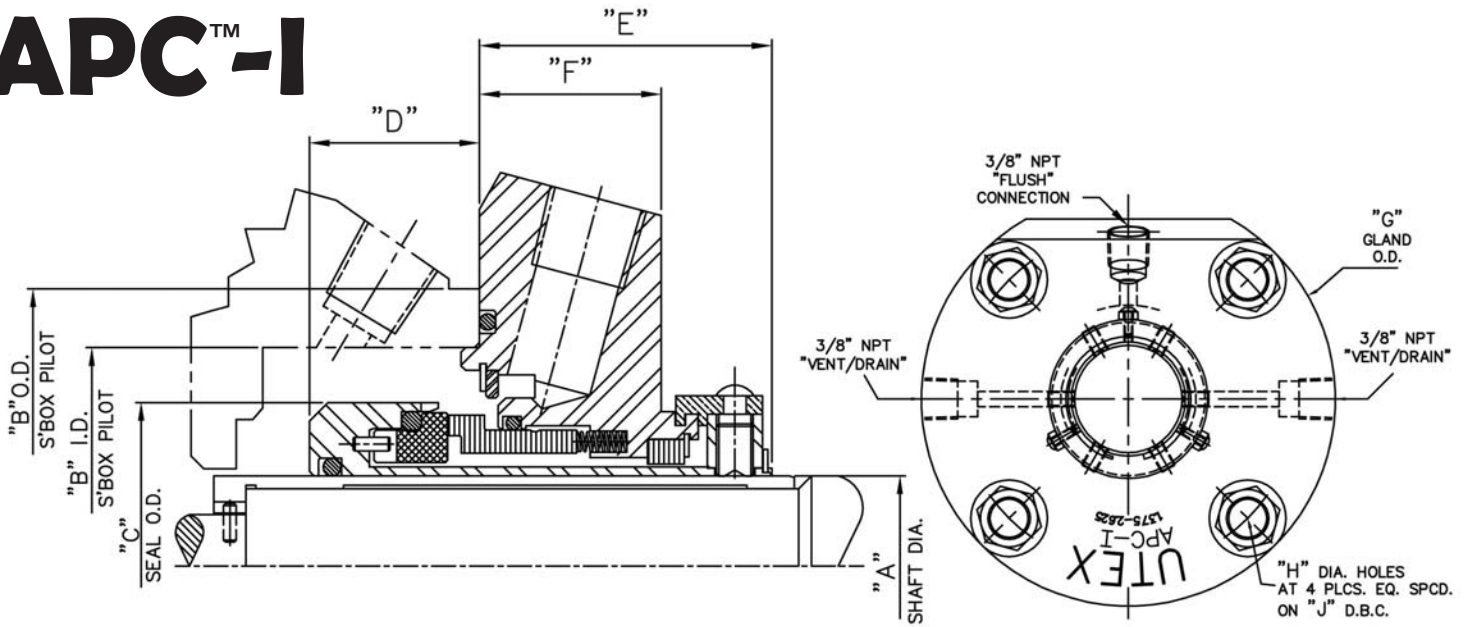
Features of Dual:

- Heavy duty unitized cartridge assembly
- Robust self-aligning stationary design
- Large cross-section balanced monolithic faces
- Precise centering, piloted gland
- Double balanced monolithic faces
- Unique split pumping ring
- ANSI Plus and custom API size range
- Applications at 500 psi and 500°F*

* Consult factory for high pressure/high temperature applications

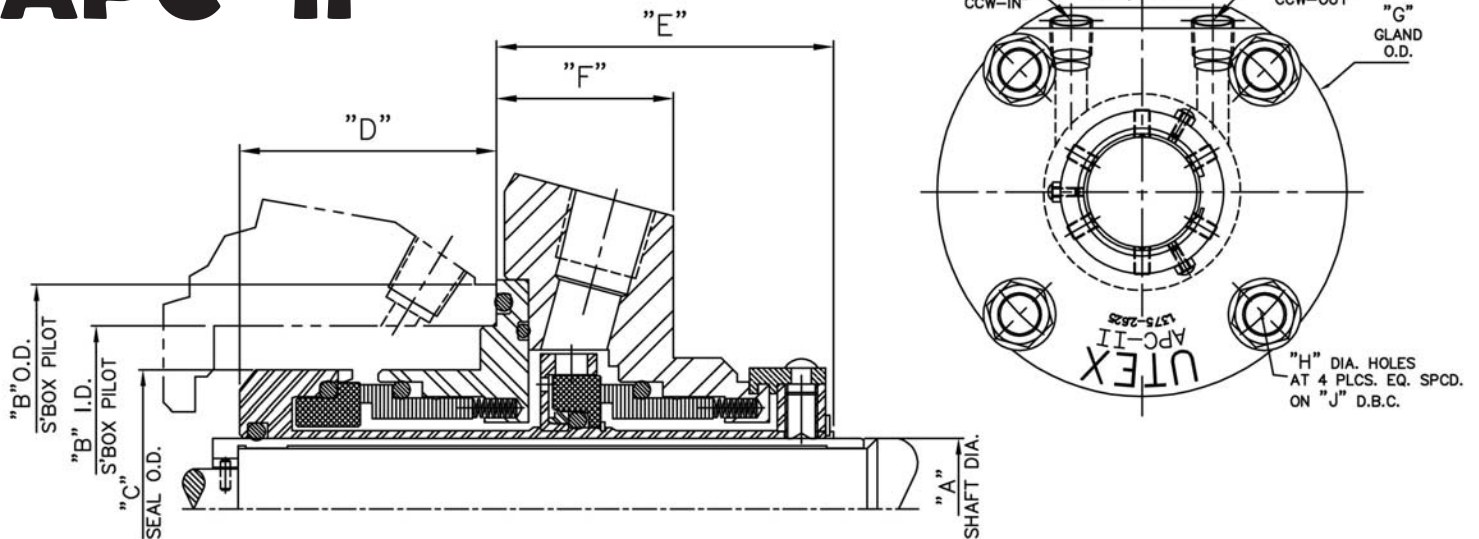


APC™-I



SHAFT/ SLEEVE SEAL SIZE "A"	S'BOX PILOT & LOCATION "B"	SEAL O.D. "C"	SEAL I.B. LENGTH "D"	SEAL O.B. LENGTH "E"	GLAND WIDTH "F"	SEAL GLAND O.D. "G"	SEAL BOLT HOLE ϕ "H"	SEAL D.B.C. "J"
1.375	2.875 I.D.	2.500	1.062	2.062	1.312	5.25	.44	4.50
1.750	3.500 I.D.	2.750	1.156	1.984	1.234	6.75	.68	5.50
1.875	3.625 I.D.	2.875	1.156	1.984	1.234	6.00	.56	5.00
2.125	4.710 O.D.	3.250	1.218	1.984	1.234	7.25	.68	6.00
2.375	4.875 O.D.	3.500	1.156	1.984	1.234	7.00	.56	6.00
2.500	5.455 O.D.	3.625	1.390	1.875	1.125	8.00	.68	6.75
2.625	5.125 O.D.	3.875	1.390	1.875	1.125	7.00	.56	6.00

APC™-II



SHAFT/ SLEEVE SEAL SIZE "A"	S'BOX PILOT & LOCATION "B"	SEAL O.D. "C"	SEAL I.B. LENGTH "D"	SEAL O.B. LENGTH "E"	GLAND WIDTH "F"	SEAL GLAND O.D. "G"	SEAL BOLT HOLE ϕ "H"	SEAL D.B.C. "J"
1.375	2.875 I.D.	2.094	1.812	2.062	1.500	5.25	.44	4.50
1.750	3.500 I.D.	2.812	2.000	2.625	1.375	6.75	.68	5.50
1.875	3.625 I.D.	2.969	1.937	2.625	1.390	6.00	.56	5.00
2.125	4.710 O.D.	3.250	2.000	2.625	1.375	7.25	.68	6.00
2.375	4.875 O.D.	3.500	1.937	2.562	1.594	7.00	.56	6.00
2.500	5.455 O.D.	3.562	2.406	2.091	1.125	8.00	.68	6.75
2.625	5.125 O.D.	3.875	2.406	2.091	1.125	7.00	.56	6.00