



UTEX INDUSTRIES, INC.
Mechanical Seal Division

Liberator® I

Single Cartridge Seal



Patented

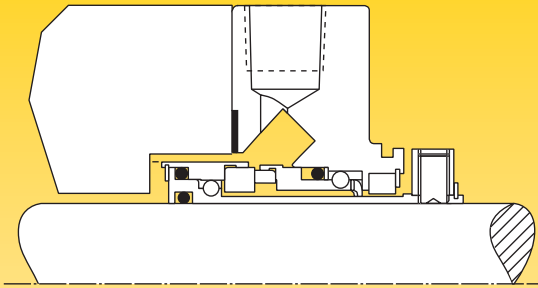
Liberator® II

Dual Cartridge Seal



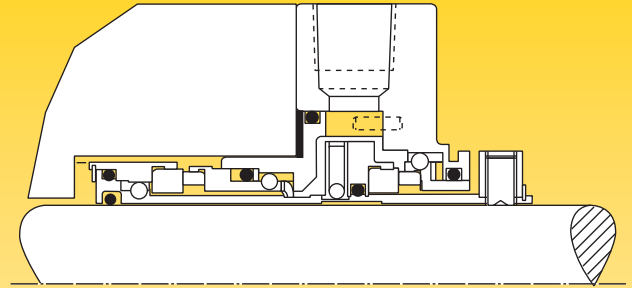
Patented

~ Setting the Standard for Industrial/Chemical Process Applications ~



Features:

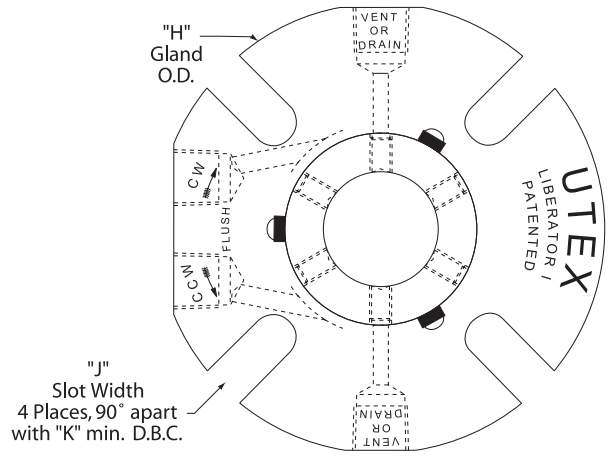
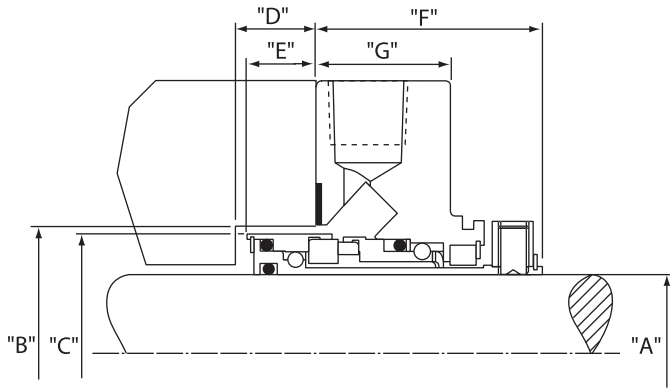
- Unique ball drive
- Multi-crested wave spring isolated from the process
- Stationary design
- Aflas® o-rings standard
- Tangential flush ports
- Vent and drain standard
- Carbon throttle bushing
- Recommended to 400 psi and 400° F
- Shaft sizes from 1" to 4"



Features Similar to Liberator I plus:

- Tangential outlet ports
- Pumping ring
- Self-venting secondary on vertical applications
- Double balanced
- Recommended to 400 psi and 400° F
- Shaft sizes from 1" to 4"

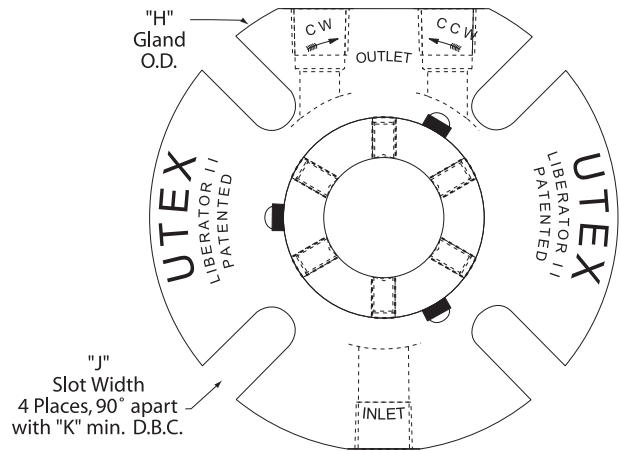
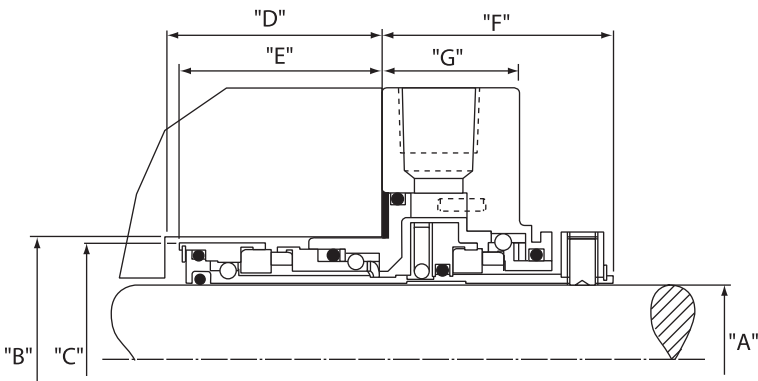
Liberator® I



A SHAFT SIZE	B BOX BORE		C SEAL O.D.	D STUFFING BOX DEPTH MIN.	E INBOARD LENGTH	F OUTBOARD LENGTH	G GLAND WIDTH	H GLAND O.D.	J SLOT WIDTH	K BOLT CIRCLE MIN. DIA. BY BOLT SIZE		
	MIN.	MAX.								3/8"	1/2"	5/8"
1.000	1.625	1.875	1.565	0.812	0.721	1.875	1.13	4.12	0.437	2.750		
1.125	1.750	2.000	1.690	0.812	0.721	1.875	1.13	4.25	0.437	2.875		
1.250	1.875	2.125	1.815	0.812	0.721	1.875	1.13	4.37	0.437	3.000		
1.375	2.000	2.250	1.940	0.750	0.656	1.937	1.19	4.18	0.437	3.125		
1.500	2.250	2.500	2.187	0.937	0.822	1.875	1.13	5.00	0.437	3.375		
1.625	2.375	2.625	2.312	0.937	0.822	1.875	1.13	5.25	0.562	3.500	3.625	
1.750	2.500	2.750	2.437	0.937	0.822	1.875	1.13	5.50	0.562	3.625	3.750	
1.875	2.625	2.875	2.562	0.937	0.822	1.875	1.13	5.62	0.562	3.750	3.875	
2.000	2.750	3.000	2.687	0.937	0.822	1.875	1.13	5.50	0.562	3.875	4.000	
2.125	2.875	3.125	2.812	0.937	0.822	1.875	1.13	6.00	0.687	4.000	4.125	4.250
2.250	3.000	3.250	2.937	0.937	0.822	1.875	1.13	6.25	0.687	4.125	4.250	4.375
2.375	3.125	3.375	3.062	0.937	0.822	1.875	1.13	6.37	0.687	4.250	4.375	4.500
2.500	3.250	3.500	3.187	0.937	0.822	1.875	1.13	6.50	0.687	4.375	4.500	4.625
2.625	3.375	3.625	3.312	0.937	0.822	1.875	1.13	7.00	0.687	4.500	4.625	4.750
2.750	3.750	4.250	3.625	1.000	0.731	2.406	1.13	7.75	0.687	5.250	5.375	5.500

Contact Utex for availability of seal sizes not listed above and metric sizes.

Liberator® II



A SHAFT SIZE	B BOX BORE		C SEAL O.D.	D STUFFING BOX DEPTH MIN.	E INBOARD LENGTH	F OUTBOARD LENGTH	G GLAND WIDTH	H GLAND O.D.	J SLOT WIDTH	K BOLT CIRCLE MIN. DIA. BY BOLT SIZE		
	MIN.	MAX.								3/8"	1/2"	5/8"
1.000	1.625	1.875	1.565	1.875	1.750	2.042	1.23	4.12	0.437	2.750		
1.125	1.750	2.000	1.690	1.875	1.750	2.042	1.23	4.25	0.437	2.875		
1.250	1.875	2.125	1.815	1.875	1.750	2.042	1.23	4.37	0.437	3.000		
1.375	2.000	2.250	1.940	1.875	1.750	2.042	1.19	4.18	0.437	3.125		
1.500	2.250	2.500	2.187	2.000	1.875	2.042	1.23	5.00	0.437	3.375		
1.625	2.375	2.625	2.312	2.000	1.875	2.042	1.23	5.25	0.562	3.500	3.625	
1.750	2.500	2.750	2.437	2.000	1.875	2.042	1.23	5.50	0.562	3.625	3.750	
1.875	2.625	2.875	2.562	2.000	1.875	2.042	1.23	5.62	0.562	3.750	3.875	
2.000	2.750	3.000	2.687	2.000	1.875	2.042	1.23	5.50	0.562	3.875	4.000	
2.125	2.875	3.125	2.812	2.000	1.875	2.042	1.23	6.00	0.687	4.000	4.125	4.250
2.250	3.000	3.250	2.937	2.000	1.875	2.042	1.23	6.25	0.687	4.125	4.250	4.375
2.375	3.125	3.375	3.062	2.000	1.875	2.042	1.23	6.37	0.687	4.250	4.375	4.500
2.500	3.250	3.500	3.187	2.000	1.875	2.042	1.23	6.50	0.687	4.375	4.500	4.625
2.625	3.375	3.625	3.312	2.000	1.875	2.042	1.23	7.00	0.687	4.500	4.625	4.750
2.750	3.750	4.250	3.625	2.312	2.181	2.406	1.44	7.75	0.687	5.250	5.375	5.500

Contact Utex for availability of seal sizes not listed above and metric sizes.