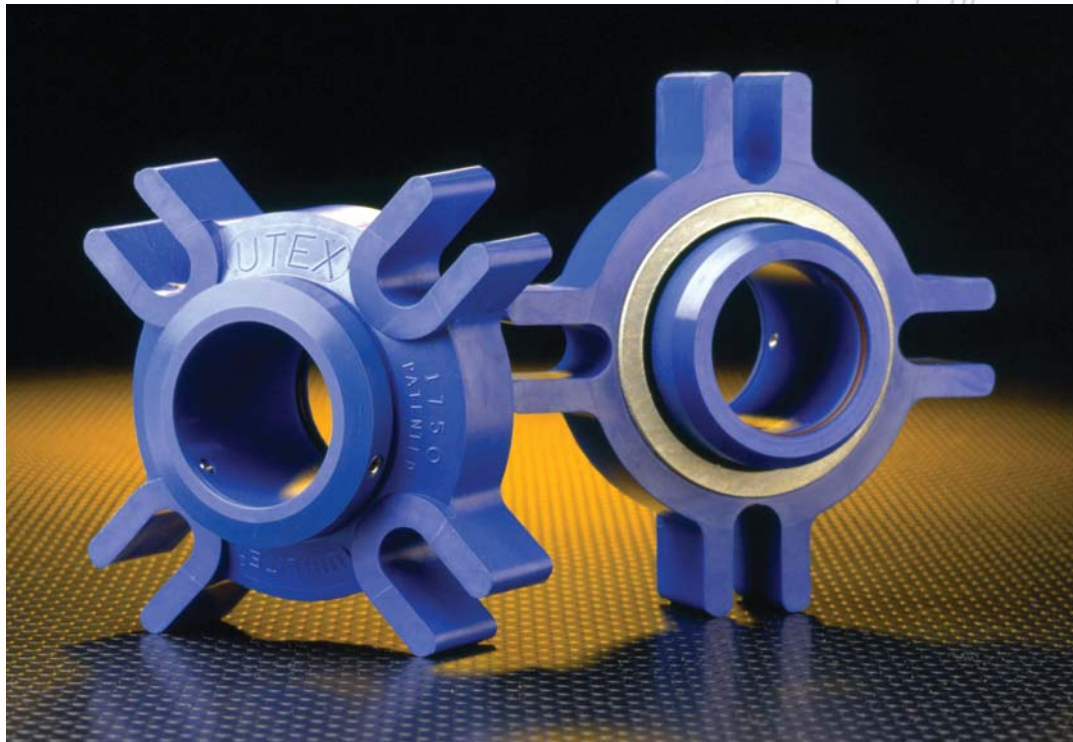




UTEX INDUSTRIES, INC.
Mechanical Seal Division

UNILITE®

Unique Non-Metallic Cartridge Mechanical Seal



- **Economy**
- **Durability**
- **Proven Design**

TECHNICAL DATA:

BASE MATERIAL

Polyphenylene Sulfide Composite

SPRING

Hastelloy C-276

STATIONARY FACE

CNFJ-B grade carbon standard.

Silicon carbide available.

ROTATING SEAL FACE

Alpha sintered silicon carbide

O-RINGS

Viton is standard. Aflas, Nitrile, EPDM, Neoprene, Chemraz and Kalrez available.

TEMPERATURE

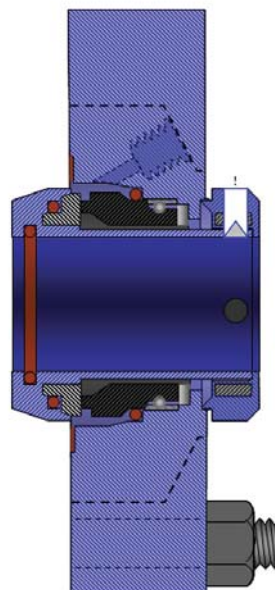
+212°F +100°C

PRESSURE

200 psi 13.8 bar

SPEED

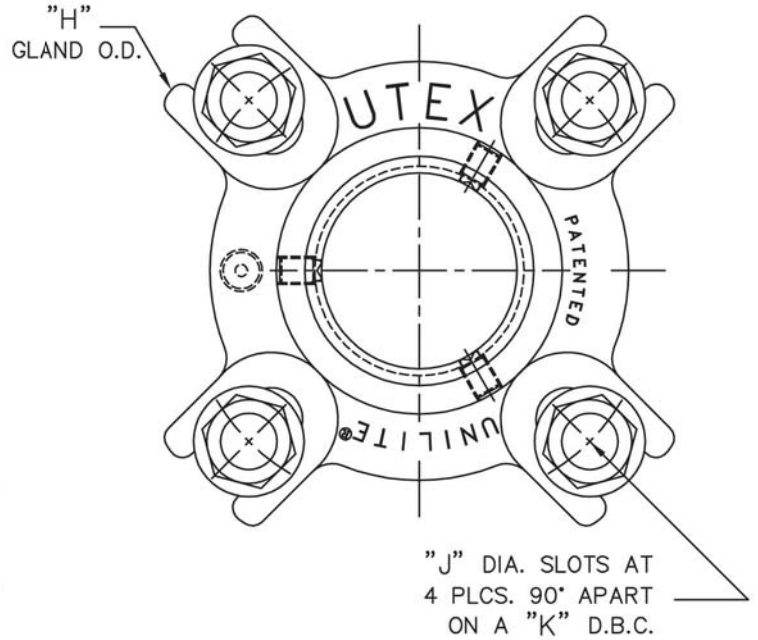
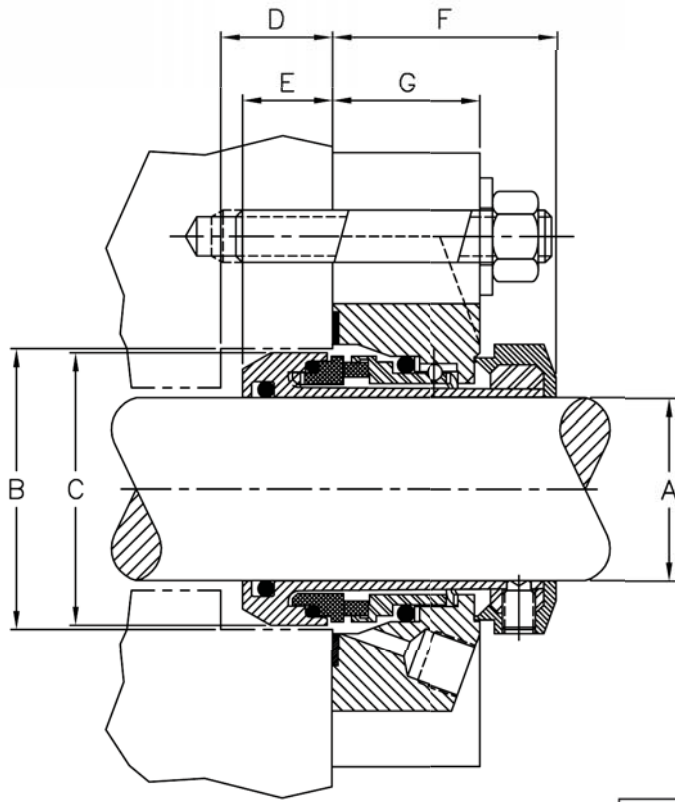
2950 fpm 15 m/s



FEATURES:

- Economy of a non-metallic seal
- Proven polyphenylene sulfide non-metallic composite
- High chemical resistance
- Available with flush on request
- No setting clips required
- Metal reinforced collar
- Easy to install
- Repair kit available

UNILITE®



TYPICAL MECHANICAL PROPERTIES OF UNILITE COMPOSITE SEAL			
POLYPHENYLENE SULFIDE COMPOSITE			
Tensile strength	ASTM D638	22,000 PSI	155 MPa
Ultimate elongation	ASTM D638	1%	
Flexural strength	ASTM D790	36,000 PSI	248 MPa
Flexural modulus	ASTM D790	2,000,000 PSI	14 GPa
Notched IZOD	ASTM D256	4 ft-lb/in	212 J/M
HDT @ 264 PSI (1.82 MPa)	ASTM D648	500° F	266° C

SHAFT/SLEEVE DIA. +.000/-0.002		STUFFING BOX BORE		SEAL O.D.	S'BOX DEPTH (MIN.)	IN-BOARD LENGTH	OUT-BOARD LENGTH	GLAND WIDTH	GLAND O.D.	SLOT DIA.	BOLT CIRCLE BY BOLT SIZE MINIMUM / MAXIMUM		
INCHES	METRIC	MIN.	MAX.								3/8"	1/2"	5/8"
A		B		C	D	E	F	G	H	J	K		
1.000	25	1.625	1.875	1.562	.828	.703	1.578	1.000	4.125	.437	2.750/3.687	-	-
1.125	28	1.750	2.000	1.687	↑	↑	↑	↑	4.125	↑	2.875/3.687	-	-
1.250	30/32	1.875	2.125	1.812	↓	↓	↓	↓	4.250	↓	3.000/3.812	-	-
1.375	35	2.000	2.250	1.937	.828	.703	1.578	1.000	4.250	↓	3.125/3.812	-	-
1.500	38	2.250	2.500	2.187	.844	.719	1.719	1.140	4.500	.437	3.375/4.063	-	-
1.562	40	2.312	2.562	2.250	↑	↑	↑	↑	5.000	.562	3.453/4.546	3.578/4.421	-
1.625	↑	2.375	2.625	2.312	↑	↑	↑	↑	5.000	↑	3.500/4.562	3.625/4.437	-
1.750	43/45	2.500	2.750	2.437	↑	↑	↑	↑	5.500	↑	3.625/5.063	3.750/4.937	-
1.875	↑	2.625	2.875	2.562	↑	↑	↑	↑	5.500	↓	3.750/5.063	3.875/4.937	-
2.000	50	2.750	3.000	2.687	↑	↑	↑	↑	5.500	.562	3.875/5.063	4.000/4.937	-
2.125	↑	2.875	3.125	2.812	↑	↑	↑	↑	6.000	.687	4.000/5.562	4.125/5.437	4.250/5.312
2.187	55	2.937	3.187	2.875	↑	↑	↑	↑	6.000	↑	4.093/5.531	4.171/5.453	4.328/5.296
2.250	↑	3.000	3.250	2.937	↑	↑	↑	↑	6.000	↑	4.125/5.562	4.250/5.437	4.375/5.312
2.375	60	3.125	3.375	3.062	↑	↑	↑	↑	6.000	↑	4.250/5.562	4.375/5.437	4.500/5.312
2.500	↑	3.250	3.500	3.187	↑	↑	↑	↑	6.500	↓	4.375/6.062	4.500/5.937	4.625/5.812
2.625	65	3.375	3.625	3.312	.844	.719	1.719	1.140	6.500	.687	4.500/6.062	4.625/5.937	4.750/5.812