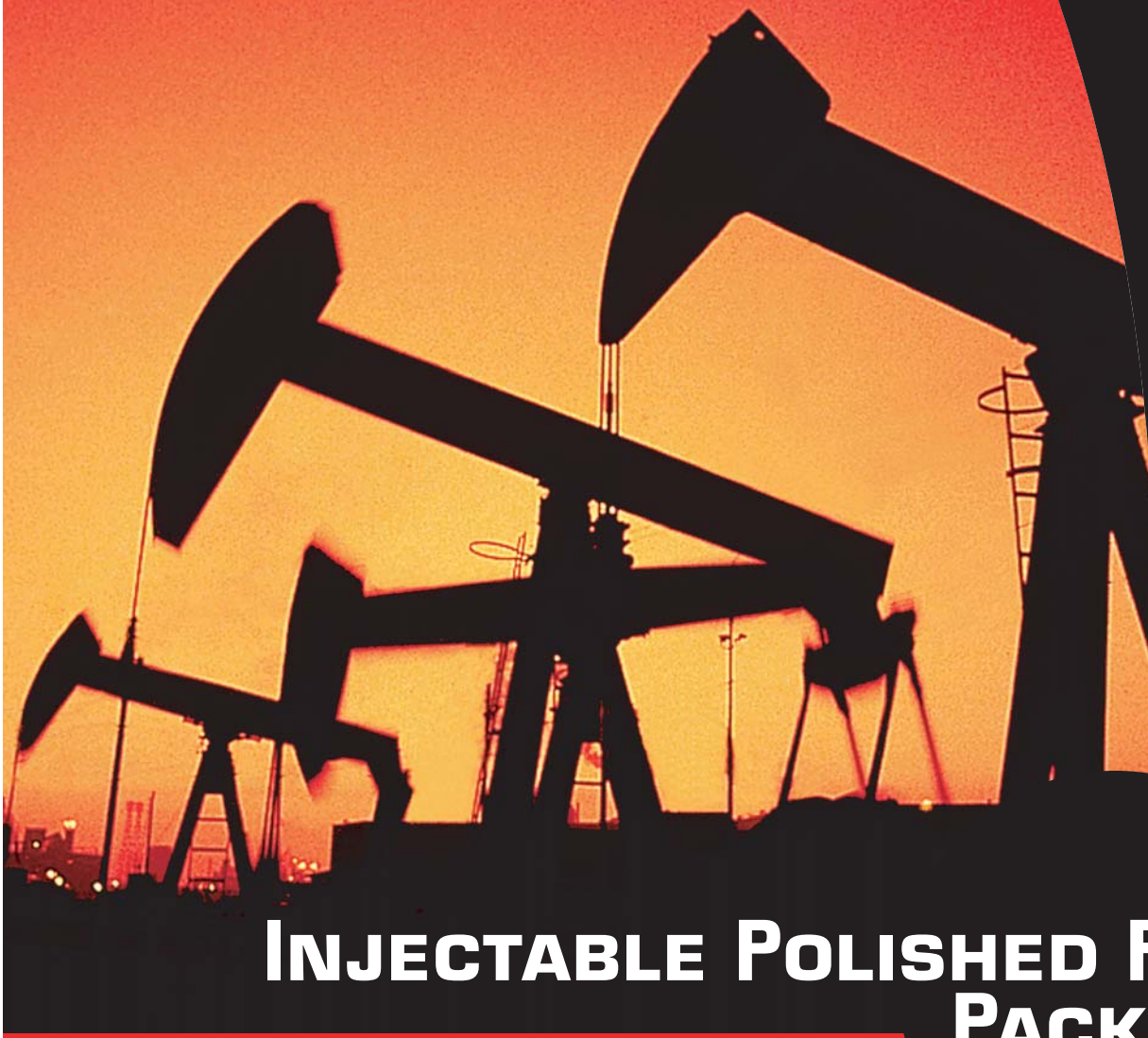


SEALING SOLUTIONS



INJECTABLE POLISHED ROD PACKING SYSTEM

Split Containment Rings with an Interlocking Cut and Injectable Packing Provide a Virtually Leak-Free System that can be Easily Maintained while Pump is Operating using a Hydraulic Pressure Gun.

LESS *leakage
downtime*

EASY *to install
to maintain*

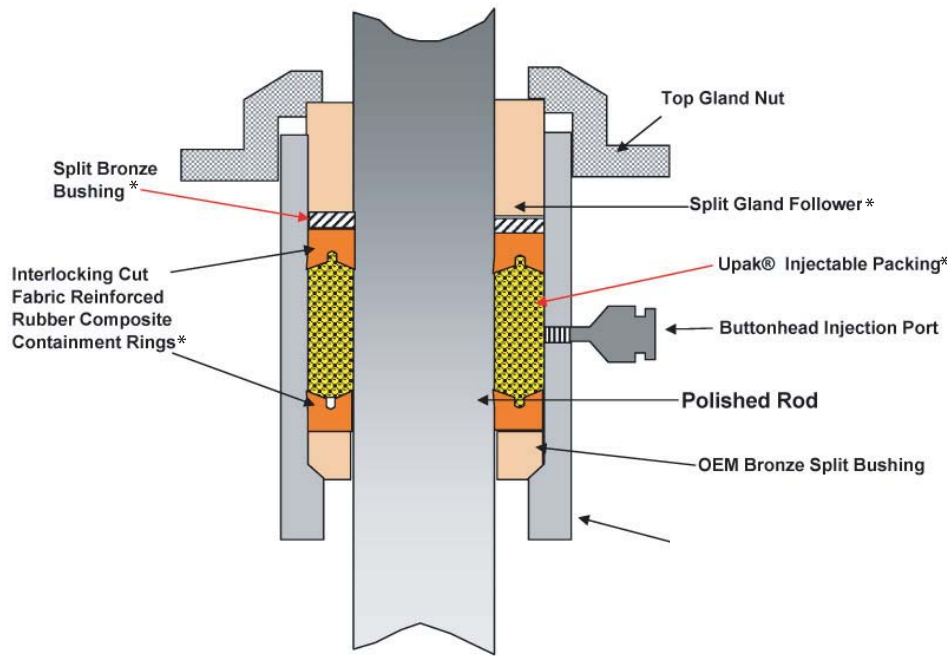
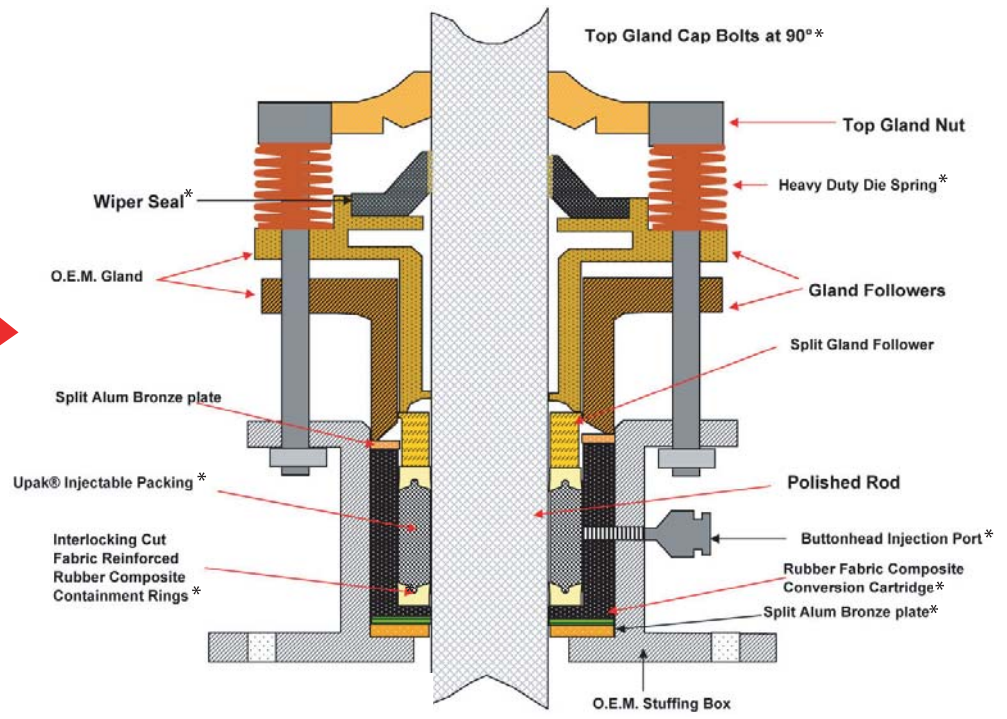


UTEX INDUSTRIES, INC.
www.utexind.com
1-800-359-9229

Product Bulletin
Rev. 08/28/06

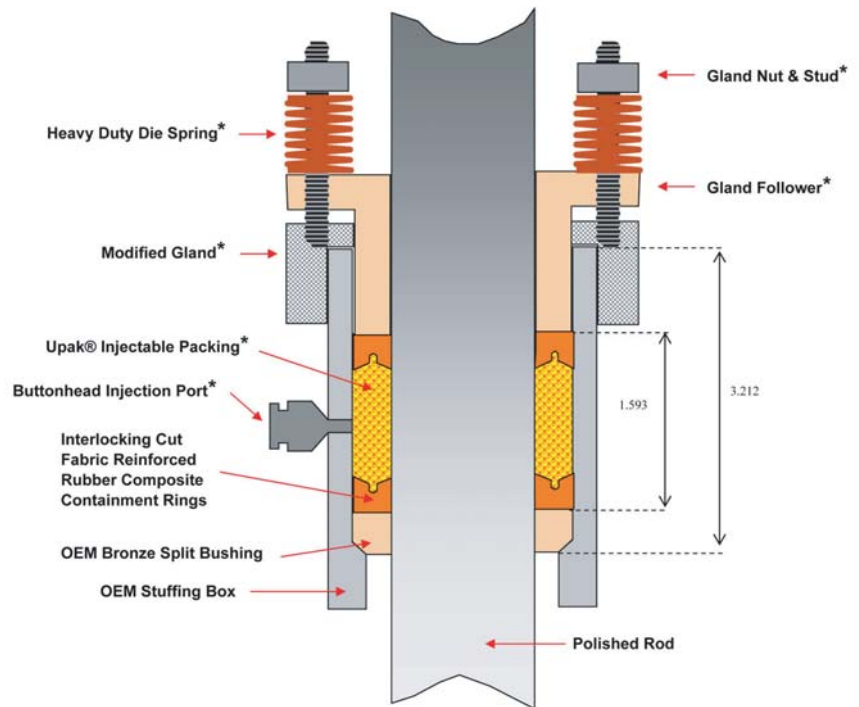
85

Hercules Type Box →



← **Round Type Box**

Round Type Box with Spring →



* Retro Fit Furnished Component
UPAK® is a Registered Trademark of Utex Industries, Inc.



UTEX INDUSTRIES, INC.
 Taking Sealing Technology Beyond Tomorrow
 ISO 9001 Certified
 www.utexind.com

PRODUCT BULLETIN

UPB - 85 Add. 05/24/06

INJECTABLE POLISHED ROD PACKING SYSTEM

UPAK® Success Stories

Production Field	South Central Texas USA	
Stuffing Box	Hercules Double Packed Stuffing Box	
Fluid Being Pumped	15% High Gravity Condensate 85% water	
Utex Packing Type	Upak 699 UBG/Upak 600BG	Fiber reinforced HNBR or Aflas containment rings
Previously Used Packing	Huber Dome Packing or Cone packing	
Average Life of Dome or Cone Packing.	3 months on average.	Once this packing starts to leak, it will need to be replaced very soon
TEST WELLS		
#1	6 months and still running	One adjustment in this time frame.
#2	4 months and still running	No adjustments made
#3	2 months and still running	One adjustment made
Production Field	South Central Texas USA	
Stuffing Box	Hercules Double Packed Stuffing Box	
Fluid Being Pumped	1% High Gravity Condensate 99% water	
Utex Packing Type	Upak 699 UBG/Upak 600BG	Fiber reinforced HNBR or Aflas containment rings
Previously Used Packing	Huber Dome Packing or Cone packing	
Average Life of Dome or Cone Packing.	3 weeks on average.	Once this packing starts to leak, it will need to be replaced very soon
TEST WELLS		
#1	4 months and still running	One adjustment made
#2	1 year and still running	Three adjustments---last 6 months leak free
#3	1 year and still running	One adjustment made
#4	1 year and still running	Five adjustments made
#5	6 months and still running	One adjustment made
#6	6 months and still running	Four adjustments made
NOTES		
	An adjustment means injecting Upak into the box or Loosening the springs and injecting Upak	
	Total time to make an adjustment to the Upak system is 5 minutes	
	Dome packing can be adjusted once or twice but will only seal for a short time.	
	Each time the packing has to be changed, it takes 30 to 60 minutes to do.	
	All of the above test wells were considered problem wells that were hard to seal.	
	All Pump personnel we dealt with really are interested in getting this packing into there wells.	
	Less down time and easier to stop leakage without repacking pump.	