



**UTEX INDUSTRIES, INC.**  
*Taking Sealing Technology Beyond Tomorrow*  
 ISO 9001 Certified  
 www.utexind.com

# PRODUCT BULLETIN

UPB - 87 11/22/05

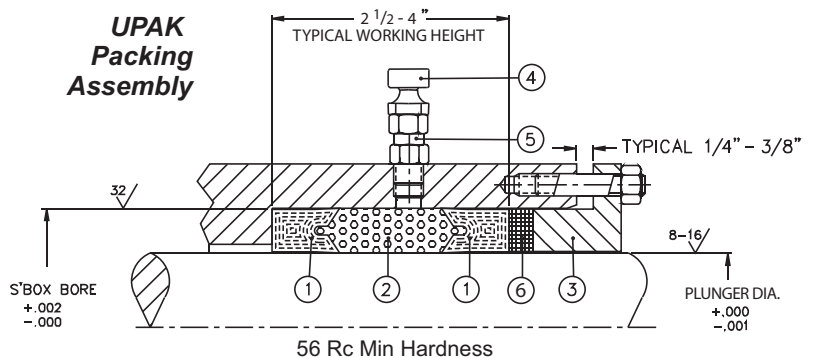
## UPAK<sup>®</sup> 100 SUPERGOLD<sup>®</sup> for Plunger Pumps Injectable Bulk Packing Designed Specifically for EXTREME Pumping Conditions

UPAK 100 SuperGold, when combined with SuperGold Style 1658 ASF Containment Rings, is an easy to install and simple to maintain sealing system created for most plunger pumps in the Production and Servicing markets of the oilfield.

The SuperGold UPAK Sealing System can provide virtually leak-free operation without auxiliary flush water or lubrication systems. This system can easily be maintained while the equipment is operating and can provide improved performance in worn stuffing boxes. Occasionally, additional UPAK may be added by using a hydraulic injection gun.

The SuperGold Sealing System is suitable for most oilfield fluids including water, produced water, crude oil, drilling fluids, well-service cements and chemicals, and other harsh fluids typically encountered in the oilfield.

**ZERO LUBRICATION REQUIREMENTS SAVES YOU \$\$\$**



### STANDARD OPERATING PARAMETERS

Color	Gold
Volumetric Fill in <sup>3</sup> /lb	25.5
Volumetric Fill cc/gm	0.92
pH Range	2 - 12

### Performance for Reciprocating Equipment

Rod Speed fpm	150
Shaft Speed mps	0.76
Max Temp. °C (°F)	204° (400°)
Max Pressure psi	3000
Max Pressure bar	206.8
Max Pressure kg/cm <sup>2</sup>	211.0
UTEX Anti-Extrusion Ring	1658, 212

ITEM	DESCRIPTION	QTY
1	Containment Ring - Style 1658	2
2	UPAK SG 100	1
3	Gland Follower	1
4	Giant Button-head w/Check Ball (1/4" MNPT)	1
5	Connector (1/4" MNPT) - optional	1
6	Optional Gland Bushing	1

**See Reverse Side for SuperGold Success Stories!**

Production Pumps in the oilfield call for a sealing system that provides RELIABILITY and meets EXTREME conditions.  
**UPAK 100 SuperGold is the answer!**

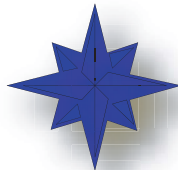
UPAK<sup>®</sup> and SuperGold<sup>®</sup> are Registered Trademarks of Utex Industries, Inc. This information is believed to be reliable and correct, but our products discussed or described herein are sold without warranty, expressed or implied, as to the results the user may obtain with them, or as to the absence, existence or validity of patent rights of others that may be infringed by the use of this product. Statements herein concerning possible uses for our products should not be taken as inducements or recommendations to use these products to violate any particular patent.

# UPAK<sup>®</sup> 100 SuperGold<sup>®</sup> Success Stories!



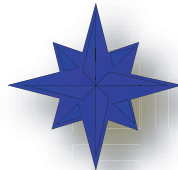
Production Field - SouthEast Texas USA  
Gasco 3364, 2 1/2", 650 psi, Water Injection Pump  
1658 SuperGold Containment Rings with UPAK 100  
Installed November 20, 2003 and put on stand by May 12, 2004.

Required periodic UPAK injection and lubrication was eliminated.  
**SAVED APPROXIMATELY \$220/MONTH ON LUBRICATION OIL.**



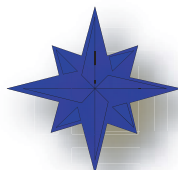
Production Field - SouthEast Texas USA  
Bethlehem B-200, 2 1/2", 1200-1800 psi, Water Injection Pump  
1658 SuperGold Containment Rings with UPAK 100  
Installed June 10, 2004, still running as of November 21, 2005.

Required periodic UPAK Injection and lubrication was eliminated.  
**SAVED APPROXIMATELY \$200/MONTH ON LUBRICATION OIL.**



Production Field - South Texas USA  
Wheatley Gasco 5698-M Transfer Pump for mixed hydrocarbons  
1658 SuperGold Containment Rings with UPAK 100

New packing is injected as required to stop leakage with 2-4 strokes using a hydraulic injection gun. Eliminated lubrication system and reduced labor as previous packing had to be replaced when leak detector shut pump down.



Production Field - SouthEast Texas USA  
Gasco 3364, 2 1/4", 800 psi, Water Injection Pump  
1658 SuperGold Containment Rings with UPAK 100  
Installed April 2, 2004, still running as of November 21, 2005.

Required periodic UPAK injection and lubrication was eliminated.  
Note: Pump ran dry for a time which destroyed valves but did not harm packing.